

UKL AIR ELIMINATOR TRAP :-

UKL Air Eliminator trap removes the trapped air from liquid lines/process equipments. Air is a harmful ingredient in steam going to process areas. Presence of air aids corrosion and leakage from pipelines and from vessels. Air can enter steam space through Boiler Feed Water circuit. Air can enter from atmosphere when steam condenses over long stoppages.

During start up when the air from liquid lines/process equipment enters Air eliminator trap, it passes through outlet port, when the liquid enters the Air Eliminator Trap the float rises and closes the outlet port and restrict the liquid to flow out.

MATERIAL OF CONSTRUCTION:

CAST IRON MODEL

UAET-14 Model- IS 210 FG260

CAST CARBON STEEL MODEL

UAET- 20 Model- ASTM A216 Gr. WCB

OPERATING CONDITIONS:-

UAET-14 CAST IRON MODEL

Max Operating Pressure :- 13.26 Kg/cm²

Max Operating Temperature :- 220 °C

UAET-20 CAST CARBON STEEL MODEL

Max Operating Pressure :- 32 Kg/cm²

Max Operating Temperature :- 425 °C



SIZES AVAILABLE:-

UAET-14 Model: 15 NB, 20 NB and 25 NB

UAET-20 Model: 15 NB, 20 NB and 25 NB

OPTIONAL:-

IBR/Non-IBR

Inbuilt Strainer

Flanged End #150/#30

Available Diff. Pressure (Kg/cm²)

UAET-14 Model :- 4.5/10/14

UAET-20 Model :- 4.5/10/14/21/32

END CONNECTIONS:

UAET-14 CAST IRON MODEL

Threaded to NPT, BSP and BSPT.

UAET-20 CAST CARBON STEEL MODEL :-

Threaded to NPT, BSP and BSPT.

Socket Weld to ASME B 16.11

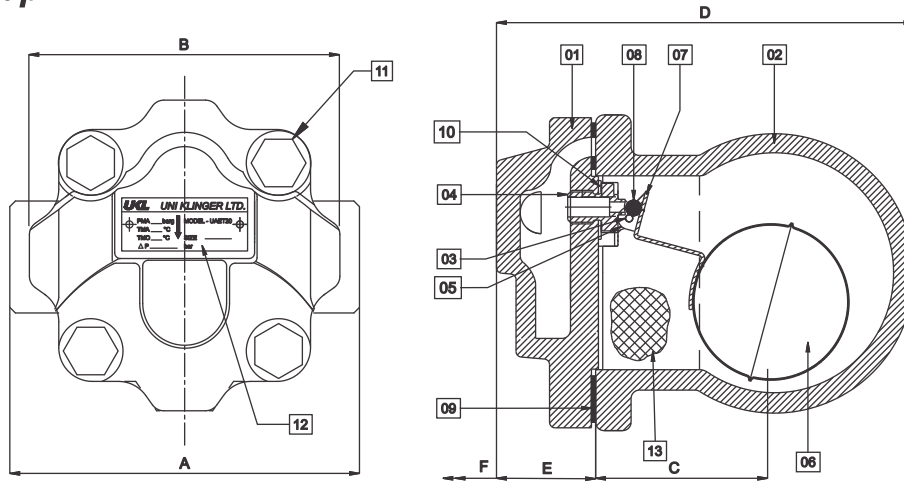
Flanged End #150/#300 (On Request)

INSTALLATION :-

Horizontal/Vertical position.

Model	Max Diff Pressure	PMO (Kg/cm ²)	Sat. Temp °C
UAE T - 14 - 4.5	4.5 Kg/cm ²	14	193
UAE T - 14 - 10	10 Kg/cm ²	14	193
UAE T - 14 - 14	14 Kg/cm ²	14	193
UAE T - 20 - 4.5	4.5 Kg/cm ²	32	237
UAE T - 20 - 10	10 Kg/cm ²	32	237
UAE T - 20 - 14	14 Kg/cm ²	32	237
UAE T - 20 - 21	21 Kg/cm ²	32	237
UAE T - 20 - 32	32 Kg/cm ²	32	237

Air Eliminator Trap UAET



BILL OF MATERIAL:

No.	PART NAME	MATERIAL	MATERIAL CODE	MATERIAL	MATERIAL CODE
1	Body	Cast Steel	ASTM A 216 Gr WCB	Cast Iron	IS 210 FG 260
2	Cover	Cast Steel	ASTM A 216 Gr WCB	Cast Iron	IS 210 FG 260
3	Pivot Pin	SS	AISI 304	SS	AISI 304
4	Valve Seat	SS	AISI 304	SS	AISI 304
5	Pivot Bracket	SS	AISI 304	SS	AISI 304
6	Float Halves	SS	AISI 304	SS	AISI 304
7	Lever	SS	AISI 304	SS	AISI 304
8	Steel Ball	SS	SS 440C	SS	SS 440 C
9	Cover Gasket	CAF	CAF	CAF	CAF
10	Valve Seat Gasket	SS	AISI 304	SS	AISI 304
11	Cover Bolt (M10)	Carbon Steel	Gr. 8.8	Carbon Steel	Gr. 8.8
12	Name Plate	SS	AISI 304	SS	AISI 304
13	Strainer	SS	AISI 304	SS	AISI 304

Screwed / Socket Weld End Connections

Size	Diff Pressure	A	B	C	D	E	F	Weight (kg)
15 NB	4.5/10/14 Kg/cm ²	128	111	68	179	30	110	3.500
20 NB		128	111	68	179	30	110	3.500
25 NB		153	111	75	202	30	130	5.000

Other Products:



Cast / Forged Steel Piston Valves, Bellow seal valves, High Pressure valves (Gate/Globe), Strainers – “Y” Type, ITVS Steam Traps (Thermodynamic, Thermostatic, Ball Float Traps and IBT), Pressure Reducing Station, Condensate Recovery Products, Level Gauges (Reflex, Transparent, Bicolor), Sight Glass, Hot Water Generation System, Safety and Relief Valves.

FSD Products: Compressed Asbestos / Non Asbestos Fiber Sheetting / Cut Gaskets, Spiral Wound Gaskets / Gland Packing

In view of technical progress designs and dimensions are subject to change without notice.



UNI KLINGER LIMITED

A joint venture of the Neterwala group of companies and KLINGER AG, Switzerland.

Central Sales Office & Pune Branch: SC1, 5th Fl., Kohinoor Est. Mumbai-Pune Highway, Khadki, Pune-411 003.

Tel.: +91-20-4102 3000 Fax.: (020) 4102 3001

e-mail: salescso@uniklinger.com, salespune@uniklinger.com, Website: www.uniklinger.com

Factory:

C-37, M.I.D.C., Ahmednagar – 414 111, Maharashtra, Tel.: 0241 – 2777223 / 2777512

Fax: 0241 – 2777294, E-mail: fcdworks@uniklinger.com

Branch Offices:

Baroda : 102, Oftel Towers-II 1st Floor, R.C. Dutt Rd, Baroda-390 005, Tel.: 91-0265-2312343 / 2340660, Fax.: 91-265-2341419. E-mail: salesbar@uniklinger.com

Chennai : East Coast Centre, 5th Floor, 553, Mount Rd, Teyanampet, Chennai - 600 018, Tel.: 91 - 44 - 24345707. Fax.: 91 - 44 - 24343960. E-mail: saleschen@uniklinger.com

Kolkata : 9, Chitrakoot, 8th Floor, 230 A, AJC Bose Rd, Kolkata-700 020, Tel.: 91-33-22872510, Fax.: 91-33-22876494. E-mail: salescal@uniklinger.com

Mumbai : 714, Ecstasy, City of Joy Complex, J.S.D. Rd, Mulund (W) Mumbai - 400080, Tel.: 91-22-25440463, Fax.: 91-22-25440463. E-mail: salesmum@uniklinger.com

New Delhi : 1003, 10th Flr., Indra Prakash Bldg. 21, Barakhamba Rd, Connaught Place New Delhi-110001, Tel.: 91-11-41658767, Fax.: 91-11-41658768. E-mail: salesdel@uniklinger.com

