

UKL Strainers help collect and subsequently remove pipeline debris such as scale, rust, jointing compound and weld metal in pipelines, thus protecting expensive and critical equipment and processes. Damage to the plant is frequently caused by such pipeline contaminants which may find their way into the pipeline system.

Y-Type Strainers are the most economical choice for large debris removal. They are most common type of strainers used in pressurized fluid lines, and also find wide usage in suction or vacuum conditions.

UNI Klinger make Y-type strainers comply with the requirement of the European Pressure Equipment Directive 97/23/EC and carry CE mark when so required. Products fall within the PED categories I to III.

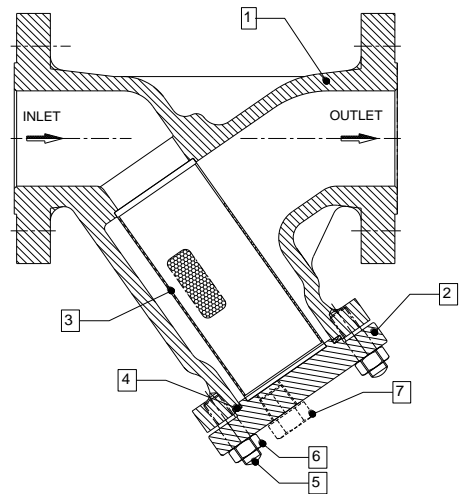


Features:-

- UKL Strainers can be used in liquid as well as gas lines.
- UKL Strainers is suitable for Hazardous Environment.
- Maintenance free and long life.

MATERIAL OF CONSTRUCTION:

- ½” to 1½” ASTM A 105
- 2” to 12” ASTM A216 Gr. WCB
- *ASTM A 182 Gr.F304/F316 and ASTM A 351 CF8/CF8M (Available on customer Request)



SIZES AVAILABLE:-

½” to 12”

END CONNECTIONS:

- Flanged Ends: ½” to 12”
- Butt Weld Ends: 2” to 12”
- Pressure Rating : ANSI #150/#300

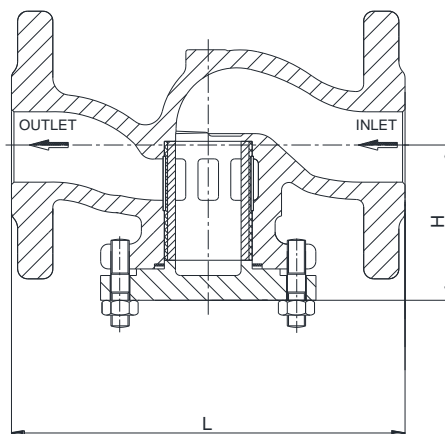
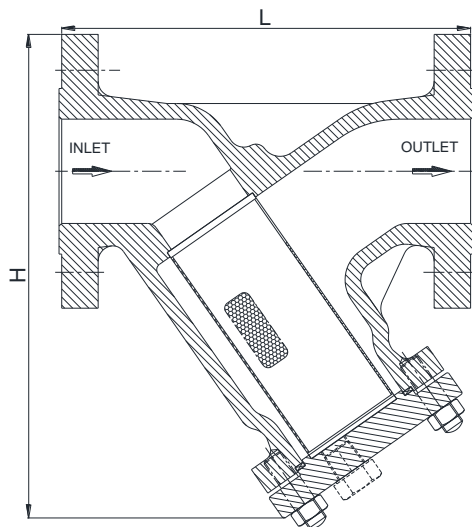
INSTALLATION:-

Preferably in Horizontal position.

OPTIONAL:-

- IBR/Non-IBR
- Mesh Size Available- 40/60/80/100/120/200

Sr	Component	Material Forged Y Type	Material Cast Y and T Type
1	Body	A105/A182 F304	WCB/CF8/CF8M
2	Cover	A105/A182 F304	WCB/CF8M
3	Strainer Screen	AISI 304	AISI 304
4	Gasket	Spiral wound Gasket	SPW Gasket+ Graphite Filler
5	Stud	ASTM A 193 GR.B7 / B8	ASTM A 193 GR.B7 / B8
6	Nuts	ASTM A 194 GR.2H / GR.8	ASTM A 194 GR.2H / GR.8
7	Drain plug		A105/AISI 304



Dimensions (inches)

Size	Y Type Forged		Y Type Cast			T Type Cast		
	#800		#150	#300	H	#150	#300	H
	L	H	L	L	H	L	L	H
1/2"	3.9	3.1	-	-	-	4.3	6.0	2.6
3/4"	4.7	3.9	-	-	-	4.6	7.0	2.9
1"	5.3	5.3	-	-	-	5.0	8.0	3.3
1 1/4"	-	-	-	-	-	5.5	8.5	3.7
1 1/2"	7.3	6.0	-	-	-	6.5	9.0	4.4
2"	-	-	9.0	10.5	7.5	8.0	10.5	4.4
2 1/2"	-	-	-	-	-	8.5	11.5	6.4
3"	-	-	12.5	12.5	10.6	9.5	12.5	7.0
4"	-	-	14.5	14.0	12.0	11.5	14.0	7.8
5"	-	-	-	-	-	14.0	15.8	8.9
6"	-	-	18.5	17.5	15.7	16.0	17.5	9.7
8"	-	-	23.5	22.0	19.3	19.5	22.0	11.7
10"	-	-	27.3	28.7	26.4	##	##	##
12"	-	-	31.9	33.5	31.5	##	##	##

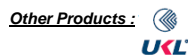
Note : Consult Factory for dimensions and sizes above 12"

OPERATING CONDITIONS :

Class	Temperature	100 °F
#150	Pressure (psi)	284.5
#300		741.1

AVAILABLE SPARES:

Strainer Screen
Cap / Cover gasket



Other Products : Cast / Forged Steel Piston Valves, Bellow seal valves, High Pressure valves (Gate/Globe) , Strainers – "Y" Type Steam Traps (Thermodynamic, Thermostatic, Ball Float Traps), Pressure Reducing Station, Condensate Recovery Products. Level Gauges (Reflex, Transparent, Bicolor), Sight Glass, Hot Water Generation System, Safety and Relief Valves.
FSD Products : Compressed Asbestos / Non Asbestos Fiber Sheetting / Cut Gaskets, Spiral Wound Gaskets.

In view of technical progress design and dimensions are subjected to change without notice.

UKL® UNI KLINGER LIMITED
A joint venture of the Neterwala group of companies and KLINGER AG, Switzerland.

Central Sales Office & Pune Branch : SC1, 5th Fl., Kohinoor Est. Mumbai-Pune Highway, Khadki, Pune-411 003. Tel.: +91-20-4102 3000 Fax.: (020) 4102 3001
e-mail : salesco@uniklinger.com, salespune@uniklinger.com, Website: www.uniklinger.com

Factory : C-37, M.I.D.C., Ahmednagar – 414 111, Maharashtra, Tel. : 0241 – 2777223 / 2777512 Fax : 0241 – 2777294, E-mail : fdworks@uniklinger.com

Branch Offices :

Baroda : 102, 1st Floor, Otel Towers-II R.C. Dutt Road, Baroda-390 005, Tel.: 91-0265-2312343 / 2340660, Fax.: 91-265-2341419. E-mail : salesbar@uniklinger.com
Chennai : East Coast Centre, 5th Floor, 553, Mount road, Teyanampet, Chennai - 600 018, Tel.: 91 - 44 - 24345707. Fax.: 91 - 44 - 24343960. E-mail : saleschen@uniklinger.com
Kolkata : 9, Chittrakoot, 8th Floor, 230 A, A.J.C Bose road, Kolkatta-700 020, Tel.: 91-33-22872510, Fax.: 91-33-22876494. E-mail : salescal@uniklinger.com
Mumbai : 22, 2nd Flr, Shreeji Arcade CHS, Almeda road, Thane-400 602, Tel.: 91-22-25421140 / 91-22-25440461, Fax.: 91-22-25440463. E-mail : salesmum@uniklinger.com
Delhi : 321, Ansal Chamber-II, 6, Bhikaji Cama Place, New Delhi-110 066, Tel.: 91-11-41658767 / 91-11-26193847, Fax.: 91-11-41658768. E-mail : salesdel@uniklinger.com