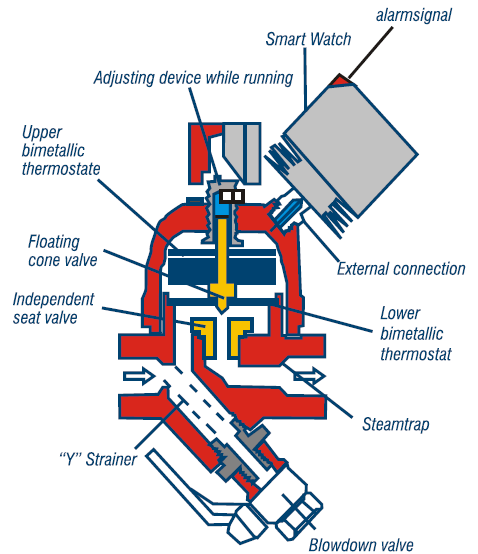


**UKL Bi-metallic Thermostatic Steam Trap.**

The enthalpy in the steam basically has two components : The Latent heat and the Sensible heat. Whereas condensate has only sensible heat. This condensate has to be removed as soon as it is formed, because it hinders to efficient heat transfer as well as leads to water hammer phenomenon as it is hot water (having more Specific Gravity) that moves with high velocity of steam (8 to 10 times higher than water), carrying enough momentum to rupture pipes and which is damaging to the plant pipelines as well as piping equipments. Hence, need to remove condensate from steam and trap steam. This is done by steam trap.

UKL make Bi-metallic steam traps are equipped with corrosion resistant regulator unaffected by water hammer and superheat. The cover features an external adjustment device that can be utilized while in the operation, independent seal and cone valve continues discharge. When the temperature starts to rise the upper thermo-state will expand producing the progressive closure of the valve. When the temperature decreases the lower thermo-state opens the valve adding pressure balancing feature. The cone valve is placed on upper stream far from the flash steam zone resulting in long life and reduces maintenance costs.



**ADVANTAGES:-**

- Innovation and High Technology
- Autonomous Operation
- Online External Adjustment
- Reduction in operation costs
- Reduction in maintenance costs
- Reliability, Balanced Pressure Design
- Integral strainer

**MATERIAL OF CONSTRUCTION :-**

- UG25/UT25 :- ASTM A 105
- UG45Ti :- ASTM A 105
- UP45Ti :- ASTM A 105

**SIZES AVAILABLE:-**

1/2", 3/4", and 1"

**OPERATING CONDITIONS :**

Model	PMO	TMO	Max Diff. Pressure
UT25 and UG25	362.5 psi	752 °F	362.5 psi
UP45Ti and UG45Ti	652.5 psi	752 °F	609 psi

**BI METALLIC TRAP With SMART WATCH**

UKL Bi Metallic Trap is compactable with Patented technology for online monitoring of steam traps know as SMART WATCH.

**FEATURES :-**

- Patented Technology
- Microprocessor based monitoring device.
- High network integration capacity
- Monitoring of 4 parameters with integrated sensors.
- Simple cabling & wiring with 12 V DC supply
- RS 485 networking over a range of 1200 m
- Certified for intrinsic safety requirements
- Variety of Alarm Modes

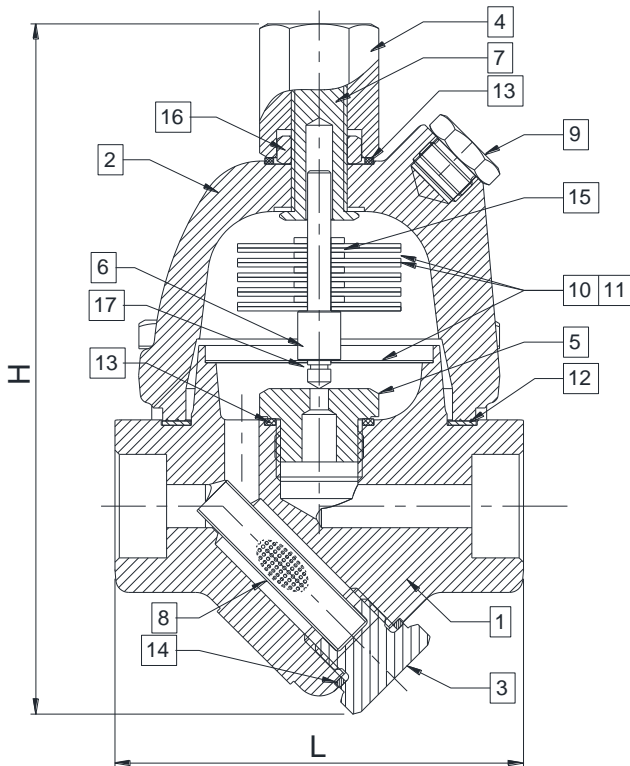
**END CONNECTIONS:**

- Socket Weld as per ASME B 16.11
- Flanged End Connections #150/#300
- Threaded to BSP, NPT and BSPT

**OPTIONAL:-**

- IBR/Non-IBR
- Suitable for online steam trap monitoring
- Compatible with UITVS
- Blow Down

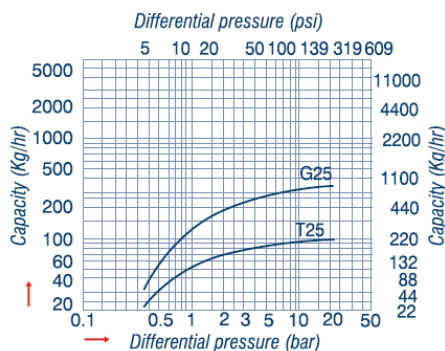
UKL-DS-IU-BM-25-45-R00-MAY 2017



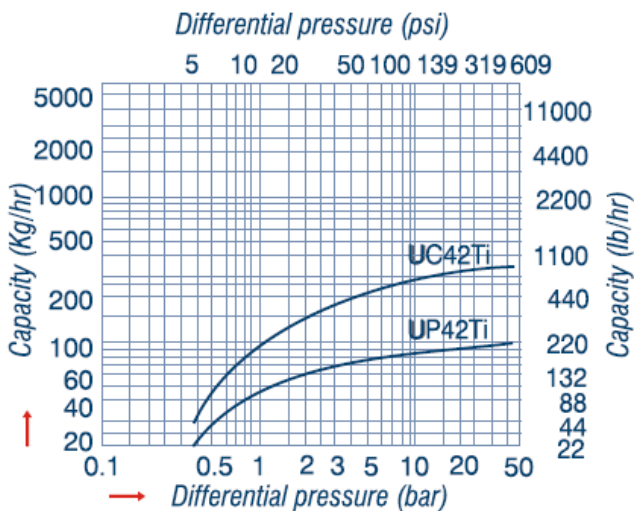
No.	PART NAME	MATERIAL	MATERIAL CODE
1	Body	Carbon Steel	ASTM A 105
2	Cover	Carbon Steel	ASTM A 105
3	Strainer Cap	Carbon Steel	ASTM A 105
4	Cver Nut	Stainless Steel	AISI 304 / AISI 316
5	Valve Seat	Stainless Steel	AISI 304 / AISI 316
6	Stem	Stainless Steel	AISI 304 / AISI 316
7	Stem Guide	Carbon Steel	ASTM A 105
8	Strainer	Stainless Steel	AISI 304
9	Cover Plug	Brass / C.S. / S.S.	---
10	Bi-Metallic	---	Klingr Standard Set
11	Controller Plates	---	Klingr Standard Set
12	Body Gasket	---	Graphite / CAF / Non CAF.
13	Valve Seat Gasket	Copper	---
14	Strainer Cap Gasket	Copper	---
15	Plain Washer	Stainless Steel	AISI 304 / AISI 316
16	Nut (1/4" BSP)	Stainless Steel	AISI 304 / AISI 316
17	Circlip	Carbon Steel	---

Sr.	Size	L (in)	H (in)
1	1/2"	3.7	6.3
2	3/4"	3.7	6.3
3	1"	6.3	6.3

### Capacity Curves for Model UT25 & UG25



### Capacity Curves for UP45Ti & UG45Ti



#### Other Products :



Cast / Forged Steel Piston Valves, Bellow seal valves, High Pressure valves (Gate/Globe), Strainers – "Y" Type, ITVS Steam Traps (Thermodynamic, Thermostatic, Ball Float Traps and IBT), Pressure Reducing Station, Condensate Recovery Products. Level Gauges (Reflex, Transparent, Bicolor), Sight Glass, Hot Water Generation System, Safety and Relief Valves.

**FSD Products :** Compressed Asbestos / Non Asbestos Fiber Sheeting / Cut Gaskets, Spiral Wound Gaskets.

In view of technical progress design and dimensions are subjected to change without notice.



## UNI KLINGER LIMITED

A joint venture of the Neterwala group of companies and KLINGER AG, Switzerland.

Central Sales Office & Pune Branch : SC-1, 5<sup>th</sup> Fl., Kohinoor Est. Mumbai-Pune Highway, Kadaki, Pune-411 003. Tel.: +91-20-4102 3000 Fax.: (020) 4102 3001  
e-mail : [salesco@uniklinger.com](mailto:salesco@uniklinger.com), [salespune@uniklinger.com](mailto:salespune@uniklinger.com), Website: [www.uniklinger.com](http://www.uniklinger.com)

Factory : C-37, M.I.D.C., Ahmednagar – 414 111, Maharashtra, Tel. : 0241 – 2777223 / 2777512 Fax : 0241 – 2777294, E-mail : [fdworks@uniklinger.com](mailto:fdworks@uniklinger.com)

#### Branch Offices :

**Baroda** : 102, 1<sup>st</sup> Floor, Otel Towers-II R.C. Dutt Road, Baroda-390 005, Tel.: 91-0265-2312343 / 2340660, Fax.: 91-265-2341419. E-mail : [salesbar@uniklinger.com](mailto:salesbar@uniklinger.com)  
**Chennai** : East Coast Centre, 5<sup>th</sup> Floor, 553, Mount road, Teyanampet, Chennai - 600 018, Tel.: 91 - 44 - 24345707. Fax.: 91 - 44 - 24343960. E-mail : [saleschen@uniklinger.com](mailto:saleschen@uniklinger.com)  
**Kolkata** : 9, Chittrakoot, 8<sup>th</sup> Floor, 230 A, A.J.C Bose road, Kolkata-700 020, Tel.: 91-33-22872510, Fax.: 91-33-22876494. E-mail : [salescal@uniklinger.com](mailto:salescal@uniklinger.com)  
**Mumbai** : 22, 2<sup>nd</sup> Flr, Shreeji Arcade CHS, Almeda road, Thane-400 602, Tel.: 91-22-25421140 / 91-22-25440461, Fax.: 91-22-25440463. E-mail : [salesmum@uniklinger.com](mailto:salesmum@uniklinger.com)  
**Delhi** : 321, Ansal Chamber-II, 6, Bhikaji Cama Place, New Delhi-110 066, Tel.: 91-11-41658767 / 91-11-26193847, Fax.: 91-11-41658768. E-mail : [salesdel@uniklinger.com](mailto:salesdel@uniklinger.com)