

Instruction Manual for Bi Metallic Steam Trap

Contents.....

1. Product Overview
2. Working
3. Installation & Commissioning Instructions
4. Operating condition
5. Maintenance and Troubleshooting
6. Storage

1.Product Overview:-

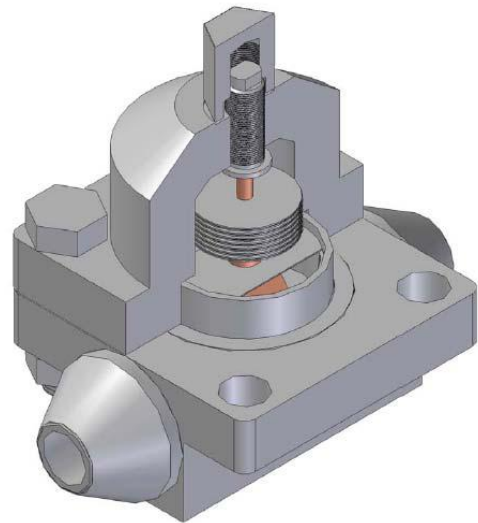
The enthalpy in the steam basically has two components : The Latent heat and the Sensible heat. Whereas condensate has only sensible heat. This condensate has to be removed as soon as it is formed, because it hinders to efficient heat transfer as well as leads to water hammer phenomenon as it is hot water (having more Specific Gravity) that moves with high velocity of steam (8 to 10 times higher than water), carrying enough momentum to rupture pipes and which is damaging to the plant pipelines as well as piping equipments. Hence, need to remove condensate from steam main and trap steam. This is done by steam trap. UKL make Bi-metallic steam traps are equipped with corrosion resistant regulator unaffected by water hammer and superheat. The cover features an external adjustment device that can be utilized while in the operation, independent seal and cone valve continues discharge.

The fact that both cone valve and seat be independent and located in allow flow discharge area is controlled by Bi-metallic thermostat, continuously adjusting to changes of condensate flow. Automatic air venting. Installation in any position. The independence of the cone valve and seat reduces dramatically the costs of its spare parts joined to the fact that it has an external adjustment device while running makes an extremely low maintenance cost steam trap.

This trap is compactable with Bitherm Smart Web Watch for online monitoring of steam trap

2. Working Principal :-

During the start-up, the condensate is cold and the bimetals are flat. When the temperature starts to rise the bimetals will expand producing the progressive closure of the valve. In this way the steam trap is able to adjust itself to changing conditions because if the pressure rises the higher pressure acts on the valve but at the same time the higher temperature will act on bimetals. Its quick automatic air venting prevents air binding. The cone valve is placed on the upper stream far from flash steam zone this avoids erosion and waste contributes to a long effective life and reduces maintenance costs.



MATERIAL OF CONSTRUCTION:

UG25/UT25	:- ASTM A 105
UG45Ti	:- ASTM A 105
UP45Ti	:- ASTM A 105
UP64 Ti	:- ASTM A 182 F11
UP110Ti	:- ASTM A 182 F11

SIZES AVAILABLE:-

15 NB, 20 NB and 25 NB

END CONNECTIONS:

Threaded to NPT , BSP and BSPT
Socket Weld to ASME B 16.11
Flanged - #150/#300/#600

3. Installation and Commissioning Instructions:

Your UKL make Bi-Metallic steam traps will provide you with long, trouble-free service if they are correctly installed and maintained.

A few minutes of your time spend reading these instructions now may save hours of trouble and downtime later.

- Before installing trap, the inlet piping should be carefully blown down to remove any existing pipe debris.
- An arrow mark is punched on every trap body showing the flow direction. Install the trap by fixing the inlet & outlet ports accordingly.
- It must be carefully noted that TST traps work on expansion/compression of Bimetals so can be mounted vertical as well as horizontal.
- It is advisable to install the Isolation Valves on either sides of trap to facilitate the servicing.
- If the trap discharges condensate into a closed condensate return system or where there is a lift at the trap, a check valve should be fitted at the outlet of the trap.
- It is preferable to install a 'Test Valve' at outlet & before isolation valve for testing the trap functioning.
- Testing of trap: trap can be tested either by Test Valve, pyrometer, ultrasonic stethoscope or a rod with sufficient length can be touched to the trap body & vibrations can be sensed by hands if trap is operating.

- **General Instructions:-**

- a. **The Drain Point**

The drain point should be so arranged that the condensate flows easily into the trap. This point needs to be properly appreciated.

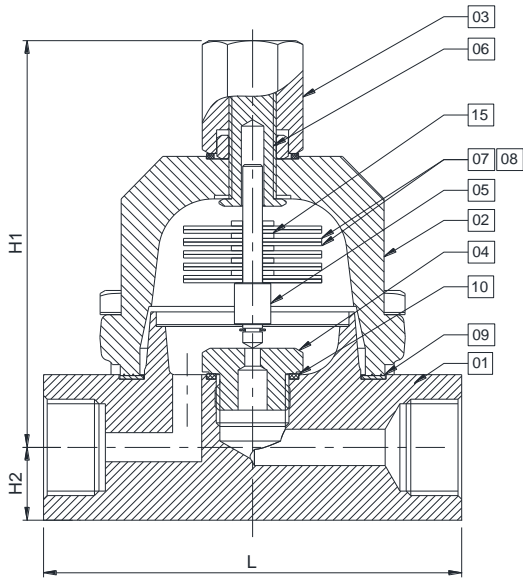
- b. **Air Binding**

When air gets pumped / locked into the trap, in the space meant for steam, the trap function ceases. Unless the air thus trapped, is released by making proper provision for venting it, the trap and by extension the plant may take a long time warming up and may never work at its full potential

- c. **Group trapping:-**

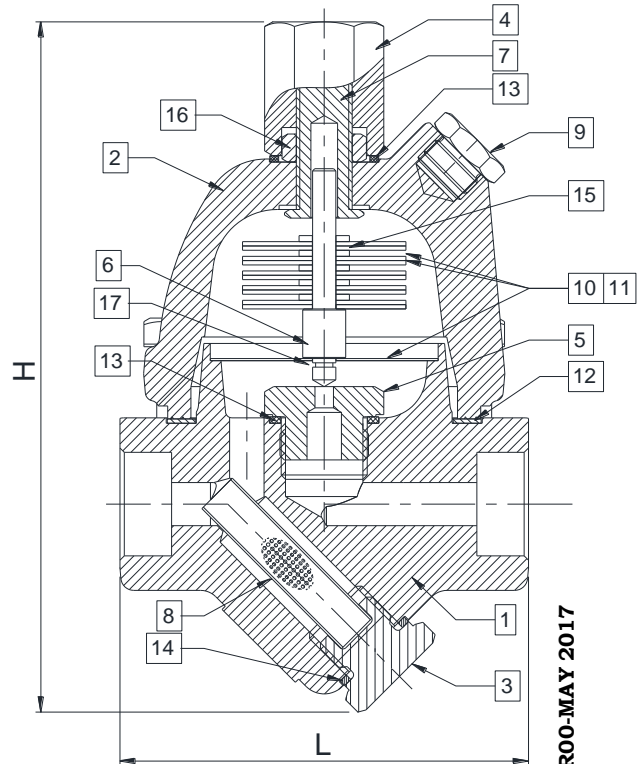
Many times it is observed that one trap is used for trapping steam or removing condensate from multiple units, for reasons of economy, which is wrong. Each individual unit may have different consumption levels of steam, and consequently may generate different volumes of condensate at different pressures, which may tend to obstruct or prevent the proper draining of condensate of other units, leading to water logging and other performance related complications. Therefore it is always recommended to use individual traps for individual units, and the outlets of all these individual units are connected to a Common condensate collection, return main/drain point.

BILL OF MATERIAL:



No.	PART NAME	MATERIAL	MATERIAL CODE
1	Body	Carbon Steel	ASTM A 182 F11 Cl 3
2	Cover	Carbon Steel	ASTM A 182 F11 Cl 3
3	Cver Nut	Stainless Steel	AISI 304 / AISI 316
4	Valve Seat	Stainless Steel	AISI 420
5	Stem	Stainless Steel	AISI 440 B
6	Stem Guide	Carbon Steel	AISI 420
7	Bi- Metallic	----	28/7NiCr-19/7NiCr
8	Controller Plates	----	
9	Body Gasket	Graphite / CAF / Non CAF.	---
10	Valve Seat Gasket	Copper	---

No.	PART NAME	MATERIAL	MATERIAL CODE
1	Body	Carbon Steel	ASTM A 105
2	Cover	Carbon Steel	ASTM A 105
3	Strainer Cap	Carbon Steel	ASTM A 105
4	Cver Nut	Stainless Steel	AISI 304 / AISI 316
5	Valve Seat	Stainless Steel	AISI 304 / AISI 316
6	Stem	Stainless Steel	AISI 304 / AISI 316
7	Stem Guide	Carbon Steel	ASTM A 105
8	Strainer	Stainless Steel	AISI 304
9	Cover Plug	Brass / C.S. / S.S.	---
10	Bi- Metallic	----	Klingr Standard Set
11	Controller Plates	----	
12	Body Gasket	---	Graphite / CAF / Non CAF.
13	Valve Seat Gasket	Copper	---
14	Strainer Cap Gasket	Copper	---
15	Plain Washer	Stainless Steel	AISI 304 / AISI 316
16	Nut (1/4" BSP)	Stainless Steel	AISI 304 / AISI 316
17	Circlip	Carbon Steel	---



UKL-IM-BMST-R00-MAY 2017

5. Maintenance and Troubleshooting:

MAINTENANCE:

- **Strainers**

This trap is fitted with an in-built strainer.

Please ensure that the strainer is clean.

It is necessary to clean the strainer periodically.

Unscrew filter cap using spanner.

Withdraw filter and clean.

If damaged replace with new one.

- **Other parts**

As mentioned above, please ensure that water-hammer conditions in the condensate line does not occur. We recommend that the unit is serviced annually, with the help of our trained service personnel. It is also recommended that the operating and maintenance staff is duly trained at our Training Center.

TROUBLESHOOTING:

- **Trap is leaking live steam.**

The most likely reason for this is possible deposition of dirt on the valve seating area.

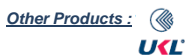
Please ensure that the strainer screen is removed and cleaned properly. It is necessary to inspect the seat and spindle of any dirt deposition. If this is noticed, clean the surfaces and refit. If the problem persists, contact UKL.

- **Trap is not discharging any condensate.**

Please ensure that clean condensate is coming to the trap. Then check for steam or air locking of trap. Under such circumstances, loose the cover cap slightly so that entrapped air or steam should be released to atmosphere, the trap refitted and taken in line. Please ensure that the required differential pressure is available across the trap.

6. Storage:

- Bi-Metallic Traps and the respective spares should be stored only in enclosed dry rooms in a non-aggressive atmosphere. Fully assembled Bi-Metallic Traps must be stored as supplied by UNI KLINGER. Spare parts must be handled with care and should be stored in their original packing.
- It is recommended to take protective measures if parts are stored in dusty conditions.
- The ambient temperature in store room must be between -20 Deg. C and +50 Deg. C.
- Sudden change in temperatures must be avoided.
- Any damage due to inappropriate storage shall release UNI KLINGER of any obligations derived from warranty, guarantee, and product liability.



Other Products : Cast / Forged Steel Piston Valves, Bellow seal valves, High Pressure valves (Gate/Globe) , Strainers – “Y” Type, ITVS Steam Traps (Thermodynamic, Thermostatic, Ball Float Traps and IBT), Pressure Reducing Station, Condensate Recovery Products. Level Gauges (Reflex, Transparent, Bicolor), Sight Glass, Hot Water Generation System, Safety and Relief Valves.
FSD Products : Compressed Asbestos / Non Asbestos Fiber Sheetting / Cut Gaskets, Spiral Wound Gaskets.

In view of technical progress design and dimensions are subjected to change without notice.



UNI KLINGER LIMITED

A joint venture of the Neterwala group of companies and KLINGER AG. Switzerland.

Central Sales Office & Pune Branch : SC1, 5th Fl., Kohinoor Est. Mumbai-Pune Highway, Kadaki, Pune-411 003. Tel.: +91-20-4102 3000 Fax.: (020) 4102 3001
e-mail : salesco@uniklinger.com, salespune@uniklinger.com, Website : www.uniklinger.com

Factory : C-37, M.I.D.C., Ahmednagar – 414 111, Maharashtra, Tel. : 0241 – 2777223 / 2777512 Fax : 0241 – 2777294, E-mail : fdworks@uniklinger.com

Branch Offices :

Baroda : 102, 1st Floor, Otel Towers-II R.C. Dutt Road, Baroda-390 005, Tel.: 91-0265-2312343 / 2340660, Fax.: 91-265-2341419. E-mail : salesbar@uniklinger.com
Chennai : East Coast Centre, 5th Floor, 553, Mount road, Teyanampet, Chennai - 600 018, Tel.: 91 - 44 - 24345707. Fax.: 91 - 44 - 24343960. E-mail : saleschen@uniklinger.com
Kolkata : 9, Chittrakoot, 8th Floor, 230 A, AJC Bose road, Kolkata-700 020, Tel.: 91-33-22872510, Fax.: 91-33-22876494. E-mail : salescal@uniklinger.com
Mumbai : 22, 2nd Flr, Shreeji Arcade CHS, Almeda road, Thane-400 602, Tel.: 91-22-25421140 / 91-22-25440461, Fax.: 91-22-25440463. E-mail : salesmum@uniklinger.com
Delhi : 321, Ansal Chamber-II, 6, Bhikaji Cama Place, New Delhi-110 066, Tel.: 91-11-41658767 / 91-11-26193847, Fax.: 91-11-41658768. E-mail : salesdel@uniklinger.com