

Steam distribution manifolds facilitate the distribution of steam to various user points (mainly for tracing applications) through Forged units with inbuilt Piston valves for isolation.

Similarly condensate from these points can be collected through the condensate collection manifolds consisting with associated isolation and by-pass piston valves.

A very effective way of distribution and collection allowing a clean environment devoid of cluster of pipes and equipments. Designed for double duty of both Steam distribution as well as condensate collections through the same body. UKL Steam and Condensate manifolds are made from forged steel and are available in configurations of 4, 8, or 12 take-off points.

Integral piston valves of glandless and seatless design will ensure that leakages across seat and gland areas are eliminated totally.

Forged design minimizes the welding requirements making it much easier to operate and maintain headers.

These manifolds are designed for vertical installation. The back is provided with threaded connections M16 stud for ease of installation by attaching to a supporting structure.

The steam main/condensate return connections is 40 NB. The tracer line drain connections are available as 15NB/20NB. source of low pressure steam from available high pressure pipeline.



[USDM]

OPERATING CONDITIONS :

Maximum Operating Pressure : 51 kg/cm²(g)

Maximum Operating Temperature : 425°C

MATERIAL OF CONSTRUCTION:

ASTMA 105

END CONNECTIONS:

Socket Weld Class 3000 as per ASME B 16.11

Flanged End Class # 150/#300 as per ASME B16.5

OPTIONAL:-

Steam Distribution Manifolds:

Strainer and Isolation Valve at inlet of manifold.

UTD Trap Assembly at bottom

Condensate Collection Manifolds:-

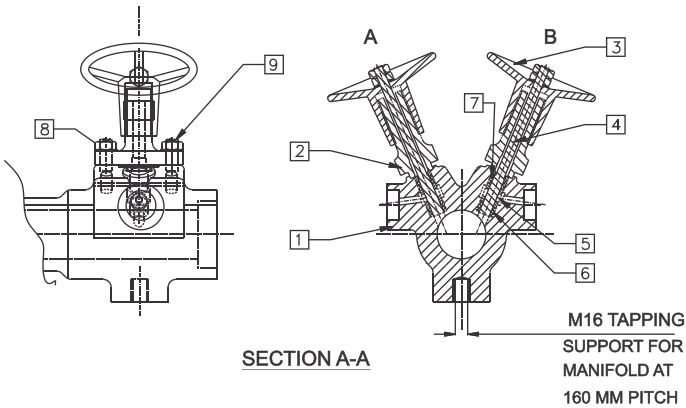
UITVS Trap assembly at all branches / tracing lines

Drain valve at bottom

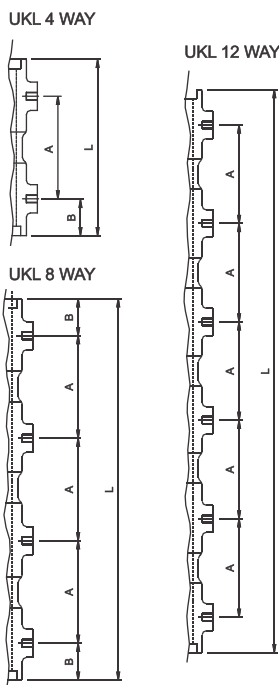


[UCCM]

Steam Distribution and Condensate Collection Manifolds USDM / UCCM



PART	PART NAME	MATERIAL	MATERIAL CODE
1	BODY	FORGED STEEL	ASTM A 105
2	BONNET	FORGED STEEL	ASTM A 105
3	HAND WHEEL	CARBON STEEL	ASTM A 216 Gr. WCB
4	(RISING TYPE) INTEGRAL PISTON SPINDLE WITH	STAINLESS STEEL	ASTM A 276 Gr. TP. 410
5	LANTERN BUSH	STAINLESS STEEL	ASTM A 276 Gr. TP. 410
6	RENEABLE TYPE LOWER VALVE RING	KLINGER STD.	WITH SS IMPREGNETION KLINGER GRAHITED
7	RENEABLE TYPE UPPER VALVE RING	KLINGER STD.	WITH SS IMPREGNETION KLINGER GRAHITED
8	BONNET NUT	CARBON STEEL	ASTM A 194 Gr. 2H
9	STUD BOLT	ALLOY STEEL	ASTM A 193 Gr. B7



Dimensions (mm)			
	4 Way	8 Way	12 Way
L (mm)	320	640	960
A (mm)	160	160	160
B (mm)	80	80	80

Weights (kg)			
Manifold	USDM	4 Way	10.5
		8 Way	22
		12 Way	32.5
	UCCM	4 Way	8.6
		8 Way	19.6
		12 Way	28

Other Products :



Cast / Forged Steel Piston Valves, Bellow seal valves, High Pressure valves (Gate/Globe), Strainers – “Y” Type, ITVS Steam Traps (Thermodynamic, Thermostatic, Ball Float Traps and IBT), Pressure Reducing Station, Condensate Recovery Products. Level Gauges (Reflex, Transparent, Bicolor), Sight Glass, Hot Water Generation System, Safety and Relief Valves.

FSD Products : Compressed Asbestos / Non Asbestos Fiber Sheeting / Cut Gaskets, Spiral Wound Gaskets / Gland Packing

In view of technical progress designs and dimensions are subject to change without notice.



UNI KLINGER LIMITED

A joint venture of the Neterwala group of companies and KLINGER AG, Switzerland.

Central Sales Office & Pune Branch : SC1, 5th Fl., Kohinoor Est. Mumbai-Pune Highway, Khadki, Pune-411 003.

Tel.: +91-20-4102 3000 Fax.: (020) 4102 3001

e-mail : salescso@uniklinger.com, salespune@uniklinger.com, Website : www.uniklinger.com

Factory :

C-37, M.I.D.C., Ahmednagar – 414 111, Maharashtra, Tel. : 0241 – 2777223 / 2777512

Fax: 0241 – 2777294, E-mail : fcdworks@uniklinger.com

Branch Offices :

Baroda : 102, Oftel Towers-II 1st Floor, R.C. Dutt Rd, Baroda-390 005, Tel.: 91-0265-2312343 / 2340660, Fax.: 91-265-2341419. E-mail : salesbar@uniklinger.com

Chennai : East Coast Centre, 5th Floor, 553, Mount Rd, Teyanampet, Chennai - 600 018, Tel.: 91 - 44 - 24345707. Fax.: 91 - 44 - 24343960. E-mail : saleschen@uniklinger.com

Kolkata : 9, Chitrakoot, 8th Floor, 230 A, AJC Bose Rd, Kolkatta-700 020, Tel.: 91-33-22872510, Fax.: 91-33-22876494. E-mail : salescal@uniklinger.com

Mumbai : 714, Ecstasy, City of Joy Complex, J.S.D. Rd, Mulund (W) Mumbai - 400080, Tel.: 91-22-25440463, Fax.: 91-22-25440463. E-mail : salesmum@uniklinger.com

New Delhi : 1003, 10th Flr., Indra Prakash Bldg. 21, Barakhamba Rd, Connaught Place New Delhi-110001, Tel.: 91-11-41658767, Fax.: 91-11-41658768. E-mail : salesdel@uniklinger.com

