

Steam used for secondary heating like coils, vessels, heat exchangers etc, generate a lot of condensate post heat transfer. This large quantity of condensate can be handled by the Inverted Bucket Trap. This condensate has a substantial heat component with cost tagged to it. Also this is treated & pure water and can be used as Feed water for the boiler, saving the cost of heating, water bill and treatment chemicals. Therefore it makes sense to recycle / reuse this condensate. This function is done by the Inverted Bucket Trap which works on the principle of buoyancy [density difference of Water and Steam]. The rise in condensate level fills and envelopes the bucket causing it to sink which opens the mechanically linked valve and discharges the condensate, and reverse when the level of condensate drops, steam enters the bucket, causes the flotation of the bucket which close the valve and stops condensate discharge & traps the live steam.

FEATURES:-

- UKL UIBT is optimally sized for complete removal of condensate.
- UKL UIBT is designed to eliminate internal damages caused by impingement of condensate.
- UIBT is suitable for high pressure applications.
- Maintenance free and long life.

MATERIAL OF CONSTRUCTION:-

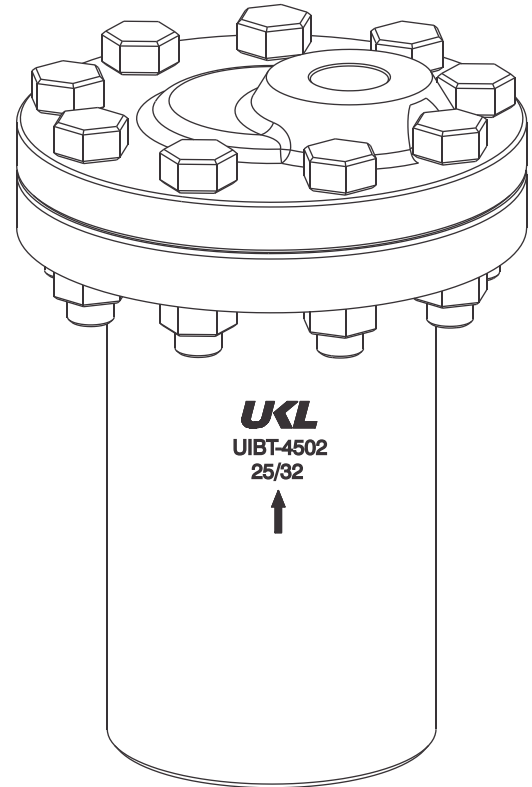
ASTM A216 Gr. WCB (Cast Carbon Steel)
ASTM A217 Gr. WC6 /WC9 (Cast Alloy Steel) (Optional)

SIZES AVAILABLE:-

25 NB & 32 NB

END CONNECTIONS:-

Screwed to BSP / BSPT / NPT
Socket Weld to ASME B 16.11
Flanged End #300



OPTIONAL:-

IBR (On Request)
Flanged End Connections

AVAILABLE DIFFERENTIAL

PRESSURE (DP) :-

1 / 2 / 4 / 5.5 / 8.5 / 12.5 / 17 / 26 / 38 / 45 Kg/cm² (g)

OPERATING CONDITIONS:-

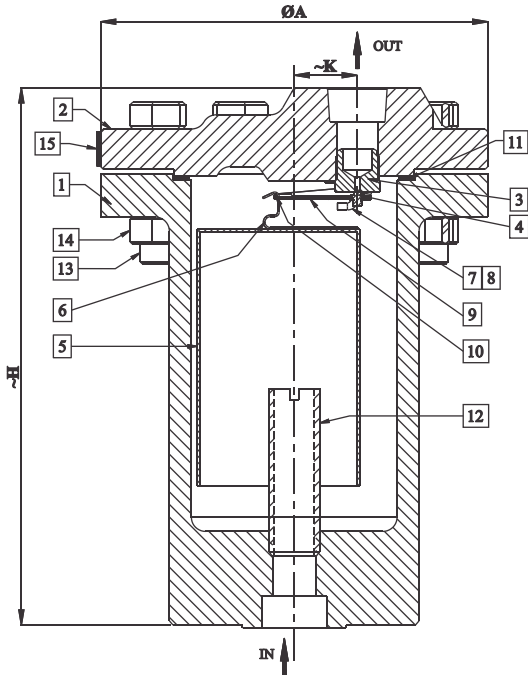
For ASTM A216 Gr. WCB
Maximum Operating Pressure :- 45 Kg/cm² (g)
Maximum Operating Temperature :- 400°C

DESIGN CONDITIONS:-

For ASTM A216 Gr. WCB
Maximum Design Pressure :- 45 Kg/cm² (g)
Maximum Design Temperature :- 426°C

Inverted Bucket Steam Trap

UIBT - 4502

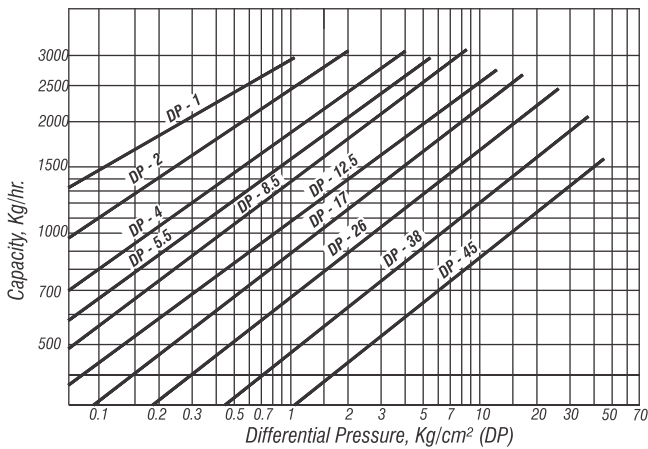


DIMENSIONS UIBT - 4502	
ØA	220 mm
~H	355 mm
~K	36.5 mm
WEIGHT (Screwed/SW)	~31 Kgs

BILL OF MATERIAL:-

NO. PART	DESCRIPTION	M.O.C.
1	BODY	ASTM A 217 Gr. WC6 / WC9 ASTM A 216 Gr. WCB
2	COVER	ASTM A 217 Gr. WC6 / WC9 ASTM A 216 Gr. WCB
3	VALVE SEAT	ASTM A 681 Gr.D2
4	VALVE PIN	ASTM A 681 Gr.D2
5	BUCKET	AISI 304
6	BUCKET HOOK	AISI 304
7	BRACKET	AISI 304
8	BRACKET PIN	AISI 304
9	LEVER	AISI 304
10	LEVER PIN	AISI 304
11	BODY GASKET	SPW AISI 316 + GRAPHITE
12	INLET TUBE	ASTM A 106 Gr. B
13	STUDS	ASTM A 193 Gr. B7
14	NUTS	ASTM A 193 Gr. 2H
15	NAME PLATE	STAINLESS STEEL

FLOW CAPACITY CHART - UIBT - 4502



Other Products :



Cast / Forged Steel Piston Valves, Bellow seal valves, High Pressure valves (Gate/Globe), Strainers – “Y” Type, ITVS Steam Traps (Thermodynamic, Thermostatic, Ball Float Traps and IBT), Pressure Reducing Station, Condensate Recovery Products, Level Gauges (Reflex, Transparent, Bicolor), Sight Glass, Hot Water Generation System, Safety and Relief Valves.

FSD Products : Compressed Asbestos / Non Asbestos Fiber Sheetting / Cut Gaskets, Spiral Wound Gaskets / Gland Packing

In view of technical progress designs and dimensions are subject to change without notice.



UNI KLINGER LIMITED

A joint venture of the Neterwala group of companies and KLINGER AG, Switzerland.

Central Sales Office & Pune Branch : SC1, 5th Fl., Kohinoor Est. Mumbai-Pune Highway, Khadki, Pune-411 003.

Tel.: +91-20-4102 3000 Fax.: (020) 4102 3001

e-mail : salescso@uniklinger.com, salespune@uniklinger.com, Website : www.uniklinger.com

Factory :

C-37, M.I.D.C., Ahmednagar – 414 111, Maharashtra, Tel. : 0241 – 2777223 / 2777512

Fax: 0241 – 2777294, E-mail : fcdworks@uniklinger.com

Branch Offices :

Baroda : 102, Oftel Towers-II 1st Floor, R.C. Dutt Rd, Baroda-390 005, Tel.: 91-0265-2312343 / 2340660, Fax.: 91-265-2341419. E-mail : salesbar@uniklinger.com

Chennai : East Coast Centre, 5th Floor, 553, Mount Rd, Teyanampet, Chennai - 600 018, Tel.: 91 - 44 - 24345707. Fax.: 91 - 44 - 24343960. E-mail : saleschen@uniklinger.com

Kolkata : 9, Chitrakoot, 8th Floor, 230 A, AJC Bose Rd, Kolkatta-700 020, Tel.: 91-33-22872510, Fax.: 91-33-22876494. E-mail : salescal@uniklinger.com

Mumbai : 714, Ecstasy, City of Joy Complex, J.S.D. Rd, Mulund (W) Mumbai - 400080, Tel.: 91-22-25440463, Fax.: 91-22-25440463. E-mail : salesmum@uniklinger.com

New Delhi : 1003, 10th Flr., Indra Prakash Bldg. 21, Barakhamba Rd, Connaught Place New Delhi-110001, Tel.: 91-11-41658767, Fax.: 91-11-41658768. E-mail : salesdel@uniklinger.com



ISO 9001
AN ISO 9001 : 2015
COMPANY