

Steam used for secondary heating like coils, vessels, heat exchangers etc, generate a lot of condensate post heat transfer. This large quantity of condensate can be handled by the Inverted Bucket Trap. This condensate has a substantial heat component with cost tagged to it. Also this is treated & pure water and can be used as Feed water for the boiler, saving the cost of heating, water bill and treatment chemicals. Therefore it makes sense to recycle / reuse this condensate. This function is done by the Inverted Bucket Trap which works on the principle of buoyancy [density difference of Water and Steam]. The rise in condensate level fills and envelopes the bucket causing it to sink which opens the mechanically linked valve and discharges the condensate, and reverse when the level of condensate drops, steam enters the bucket, causes the flotation of the bucket which close the valve and stops condensate discharge & traps the live steam.

**FEATURES:-**

- UKL UIBT is optimally sized for complete removal of condensate.
- UKL UIBT is designed to eliminate internal damages caused by impingement of condensate.
- Maintenance free and long life.
- UKL UIBT has unique & efficient internal mechanism
- Equipped with inbuilt strainer.

**MATERIAL OF CONSTRUCTION:-**

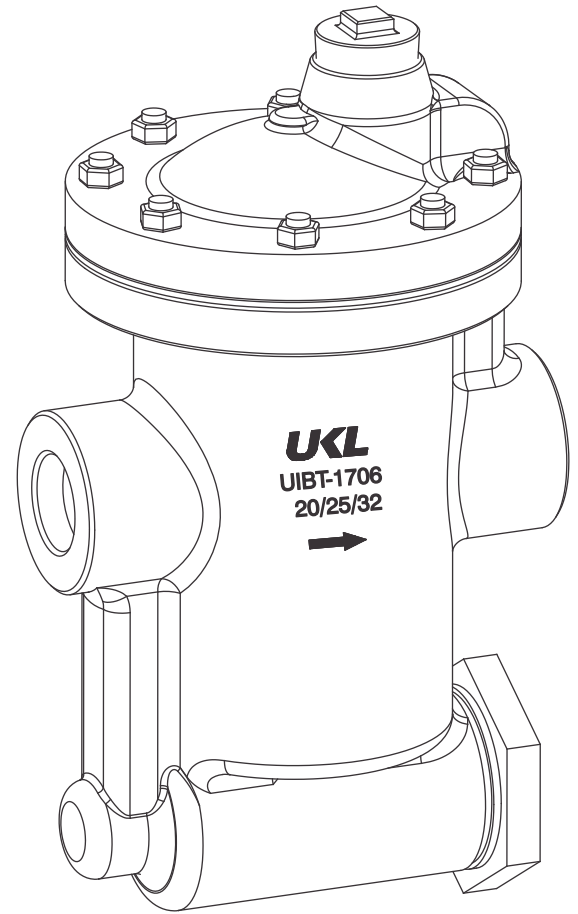
ASTM A216 Gr. WCB (Cast Carbon Steel)

**SIZES AVAILABLE:-**

20 NB, 25 NB & 32 NB

**END CONNECTIONS:-**

Screwed to BSP / BSPT / NPT  
Socket Weld to ASME B 16.11  
Flanged End #150



**OPTIONAL:-**

IBR (On Request)  
Flanged End Connections

**AVAILABLE DIFFERENTIAL**

**PRESSURE (DP) :-**

1 / 2 / 4 / 5.5 / 8.5 / 12.5 / 17 Kg/cm<sup>2</sup> (g)

**OPERATING CONDITIONS:-**

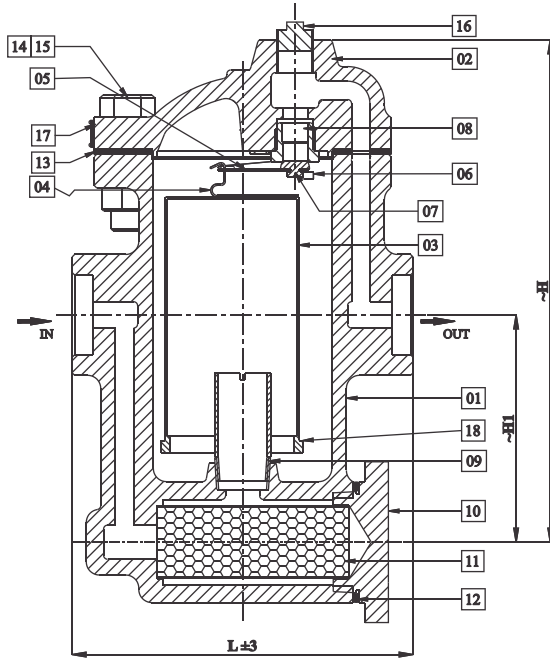
Maximum Operating Pressure :- 17 Kg/cm<sup>2</sup> (g)  
Maximum Operating Temperature :- 400 °C

**DESIGN CONDITIONS:-**

Maximum Design Pressure :- 17.0 Kg/cm<sup>2</sup> (g)  
Maximum Design Temperature :- 426 °C

# Inverted Bucket Steam Trap

## UIBT - 1706

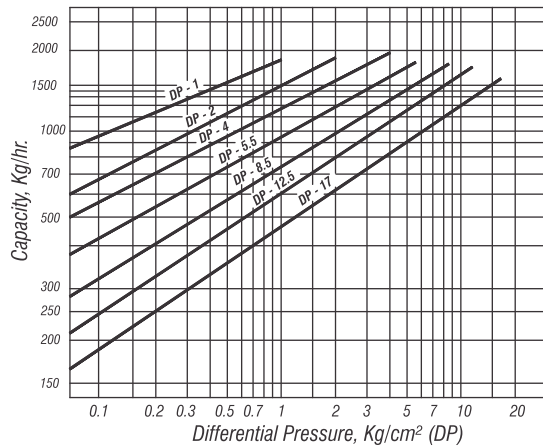


DIMENSIONS UIBT - 1706	
~H1	162 mm
~H	290 mm
L	210 mm
WEIGHT (SW/SCREWED)	~20 Kgs

### BILL OF MATERIAL:-

ITEM	DESCRIPTION	M.O.C
01	BODY	ASTM A216 Gr. WCB
02	COVER	ASTM A216 Gr. WCB
03	BUCKET	AISI 304
04	BUCKET HOOK	AISI 304
05	LEVER ASSEMBLY	AISI 304
06	BRACKET ASSEMBLY	AISI 304
07	VALVE PIN	ASTM A681 Gr. D2
08	VALVE SEAT	ASTM A681 Gr. D2
09	INLET TUBE	ASTM A106 Gr.B
10	FILTER CAP	ASTM A105
11	FILTER	AISI 304
12	SPW GASKET	AISI 316 WITH GRAPHITE
13	GASKET	CI-18
14	HEX BOLTS	GR. 8.8 / ASTM A 193 Gr. B7
15	NUTS	GR. 8 / ASTM A 193 Gr. 2H
16	END PLUGS	ASTM A105
17	NAME PLATE	STAINLESS STEEL
18	BUCKET RING (Optional)	CARBON STEEL

FLOW CAPACITY CHART - UIBT - 1706



### Other Products:



Cast / Forged Steel Piston Valves, Bellow seal valves, High Pressure valves (Gate/Globe), Strainers – “Y” Type, ITVS Steam Traps (Thermodynamic, Thermostatic, Ball Float Traps and IBT), Pressure Reducing Station, Condensate Recovery Products, Level Gauges (Reflex, Transparent, Bicolor), Sight Glass, Hot Water Generation System, Safety and Relief Valves.

**FSD Products:** Compressed Asbestos / Non Asbestos Fiber Sheetting / Cut Gaskets, Spiral Wound Gaskets / Gland Packing

In view of technical progress designs and dimensions are subject to change without notice.



## UNI KLINGER LIMITED

A joint venture of the Neterwala group of companies and KLINGER AG, Switzerland.

Central Sales Office & Pune Branch: SC1, 5th Fl., Kohinoor Est. Mumbai-Pune Highway, Khadki, Pune-411 003.

Tel.: +91-20-4102 3000 Fax.: (020) 4102 3001

e-mail: salescso@uniklinger.com, salespune@uniklinger.com, Website: www.uniklinger.com

Factory:

C-37, M.I.D.C., Ahmednagar – 414 111, Maharashtra, Tel.: 0241 – 2777223 / 2777512

Fax: 0241 – 2777294, E-mail: fcdworks@uniklinger.com

### Branch Offices:

**Baroda** : 102, Oftel Towers-II 1st Floor, R.C. Dutt Rd, Baroda-390 005, Tel.: 91-0265-2312343 / 2340660, Fax.: 91-265-2341419. E-mail: salesbar@uniklinger.com

**Chennai** : East Coast Centre, 5th Floor, 553, Mount Rd, Teyanampet, Chennai - 600 018, Tel.: 91 - 44 - 24345707. Fax.: 91 - 44 - 24343960. E-mail: saleschen@uniklinger.com

**Kolkata** : 9, Chitrakoot, 8th Floor, 230 A, AJC Bose Rd, Kolkatta-700 020, Tel.: 91-33-22872510, Fax.: 91-33-22876494. E-mail: salescal@uniklinger.com

**Mumbai** : 714, Ecstasy, City of Joy Complex, J.S.D. Rd, Mulund (W) Mumbai - 400080, Tel.: 91-22-25440463, Fax.: 91-22-25440463. E-mail: salesmum@uniklinger.com

**New Delhi** : 1003, 10th Flr., Indra Prakash Bldg. 21, Barakhamba Rd, Connaught Place New Delhi-110001, Tel.: 91-11-41658767, Fax.: 91-11-41658768. E-mail: salesdel@uniklinger.com



AN ISO 9001 : 2015 COMPANY