

**UKL MOISTURE SEPARATOR**

Condensate formed due to steam condensing in the pipeline may cause problems of varied nature in a steam circuit. It is also possible that the source of condensate could be the boiler supplying wet steam to plant. It is absolutely essential to remove this condensate from the line for supply of dry steam with minimum pressure drop to this equipment.

The UKL Moisture separator is designed to remove entrained water particles from the steam so that they can be drained away as condensate. The water particles settle on the cooler baffle plates and are drained away by the unique design of the body.

This can also be used on compressed air lines. UKL Moisture separators are well proven multi baffle designed to remove condensate with high level of efficiency and reliability.

The multi baffle design will cause total removal of condensate from steam lines that are fed by boilers generating wetness as high as 20%.

Typically contoured body design allows large flow areas to ensure low pressure drops.



**AVAILABLE SIZES:**

1”, 1½” , 2”, 2½”, 3”, 4”, 5”, 6” and 8”

**MATERIAL OF CONSTRUCTION:**

ASTM A 216 Gr. WCB

**END CONNECTIONS:**

Flanged End ANSI Class 150/300

**INSTALLATION:-**

Preferably in Horizontal Position

**LIMITING CONDITIONS:-**

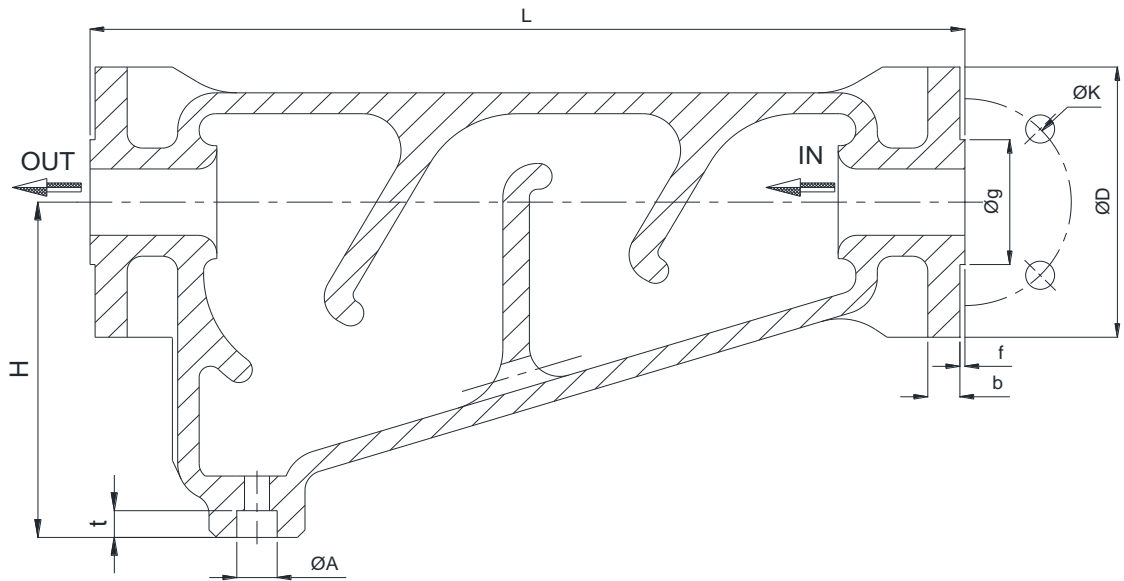
Class	Temperature	100.4 °F	392 °F	572 °F	617 °F	680 °F	707 °F	752 °F	797 °F
#150	Pressure (psi)	278.81	196.30	145.09	132.29	113.80	105.26	92.46	78.24
#300		726.88	623.04	566.15	550.50	527.74	517.78	493.60	409.67

**OPTIONAL:-**

IBR/Non-IBR

Flanged ANSI #150/#300

Drain Plug with TD Trap module



### UMS FLANGED END #150 Dimensions (inches)

Sr.	Size	L	H	ØD	Øg	ØK	ØI	b	f	No. Of Holes; N	ØA NPT
1	1"	13.66	5.30	4.33	2.00	3.13	0.63	0.50	0.08	4	¾
2	1½"	14.13	4.96	4.92	2.87	3.87	0.63	0.63	0.08	4	¾
3	2"	18.03	5.67	5.91	3.63	4.75	0.75	0.69	0.08	4	1
4	2½"	18.31	5.67	7.09	4.13	5.50	0.75	0.81	0.08	4	1
5	3"	19.17	6.81	7.48	5.00	6.00	0.75	0.88	0.08	4	1
6	4"	27.40	9.29	9.06	6.19	7.50	0.75	0.88	0.08	8	1
7	5"	27.40	9.29	10.04	7.31	8.50	0.87	0.88	0.08	8	1
8	6"	27.83	9.92	11.02	8.50	9.50	0.87	0.94	0.08	8	1
9	8"	30.00	12.20	13.58	10.63	11.75	0.87	1.06	0.08	8	1

### UMS FLANGED END #300 Dimensions(inches)

Sr.	Size	L	H	ØD	Øg	ØK	b	f	No. Of Holes, N	ØA
1	1"	13.90	3.94	4.92	2.00	3.50	0.63	0.08	4	¾
2	1½"	14.41	4.92	6.10	2.87	4.50	0.75	0.08	4	¾
3	2"	18.31	5.31	6.50	3.63	5.00	0.80	0.08	4	1
4	2½"	18.54	5.67	7.48	4.13	5.87	0.94	0.08	8	1
5	3"	19.53	6.81	8.27	5.00	6.63	1.06	0.08	8	1
6	4"	28.03	9.29	10.04	6.19	7.87	1.19	0.08	8	1
7	5"	28.35	9.29	11.02	7.31	9.25	1.31	0.08	8	1
8	6"	28.70	9.92	12.60	8.50	10.63	1.38	0.08	12	1
9	8"	31.02	12.20	14.96	10.63	13.00	1.56	0.08	12	1



Cast / Forged Steel Piston Valves, Bellow Seal Valves, High Pressure valves (Gate/Globe), Strainers – "Y" Type, Flash Vessel., ITVS Steam Traps (Thermodynamic, Thermostatic, Ball Float Traps, Inverted Bucket), Pressure Reducing Station, Condensate Recovery Products. Level Gauges (Reflex, Transparent, Bicolor), Sight Glass, Hot Water Generation System, Safety and Relief Valves.  
**FSD Products** : Compressed Asbestos / Non Asbestos Fiber Sheeting / Cut Gaskets, Spiral Wound Gaskets.

In view of technical progress design and dimensions are subjected to change without notice.



## UNI KLINGER LIMITED

A joint venture of the Neterwala group of companies and KLINGER AG. Switzerland.

Central Sales Office & Pune Branch : SC1, 5<sup>th</sup> Fl., Kohinoor Est. Mumbai-Pune Highway, Khadki, Pune-411 003. Tel.: +91-20-4102 3000 Fax.: (020) 4102 3001  
 e-mail : [salesco@uniklinger.com](mailto:salesco@uniklinger.com), [salespune@uniklinger.com](mailto:salespune@uniklinger.com), Website : [www.uniklinger.com](http://www.uniklinger.com)

Factory : C-37, M.I.D.C., Ahmednagar – 414 111, Maharashtra, Tel. : 0241 – 2777223 / 2777512 Fax : 0241 – 2777294, E-mail : [fdworks@uniklinger.com](mailto:fdworks@uniklinger.com)

#### Branch Offices :

**Baroda** : 102, 1st Floor, Otel Towers-II R.C. Dutt Road, Baroda-390 005, Tel.: 91-0265-2312343 / 2340660, Fax.: 91-265-2341419. E-mail : [salesbar@uniklinger.com](mailto:salesbar@uniklinger.com)  
**Chennai** : East Coast Centre, 5<sup>th</sup> Floor, 553, Mount road, Teyyanampet, Chennai - 600 018, Tel.: 91 - 44 - 24345707. Fax.: 91 - 44 - 24343960. E-mail : [saleschen@uniklinger.com](mailto:saleschen@uniklinger.com)  
**Kolkata** : 9, Chitrakoot, 8th Floor, 230 A, A.J.C Bose road, Kolkatta-700 020, Tel.: 91-33-22872510, Fax.: 91-33-22876494. E-mail : [salescal@uniklinger.com](mailto:salescal@uniklinger.com)  
**Mumbai** : 22, 2nd Flr, Shreeji Arcade CHS, Almeda road, Thane-400 602, Tel.: 91-22-25421140 / 91-22-25440461, Fax.: 91-22-25440463. E-mail : [salesmum@uniklinger.com](mailto:salesmum@uniklinger.com)  
**Delhi** : 321, Ansal Chamber-II, 6, Bhikaji Cama Place, New Delhi-110 066, Tel.: 91-11-41658767 / 91-11-26193847, Fax.: 91-11-41658768. E-mail : [salesdel@uniklinger.com](mailto:salesdel@uniklinger.com)